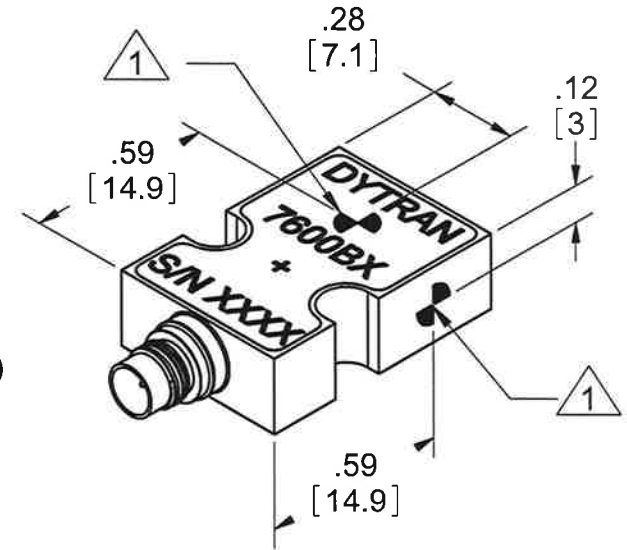
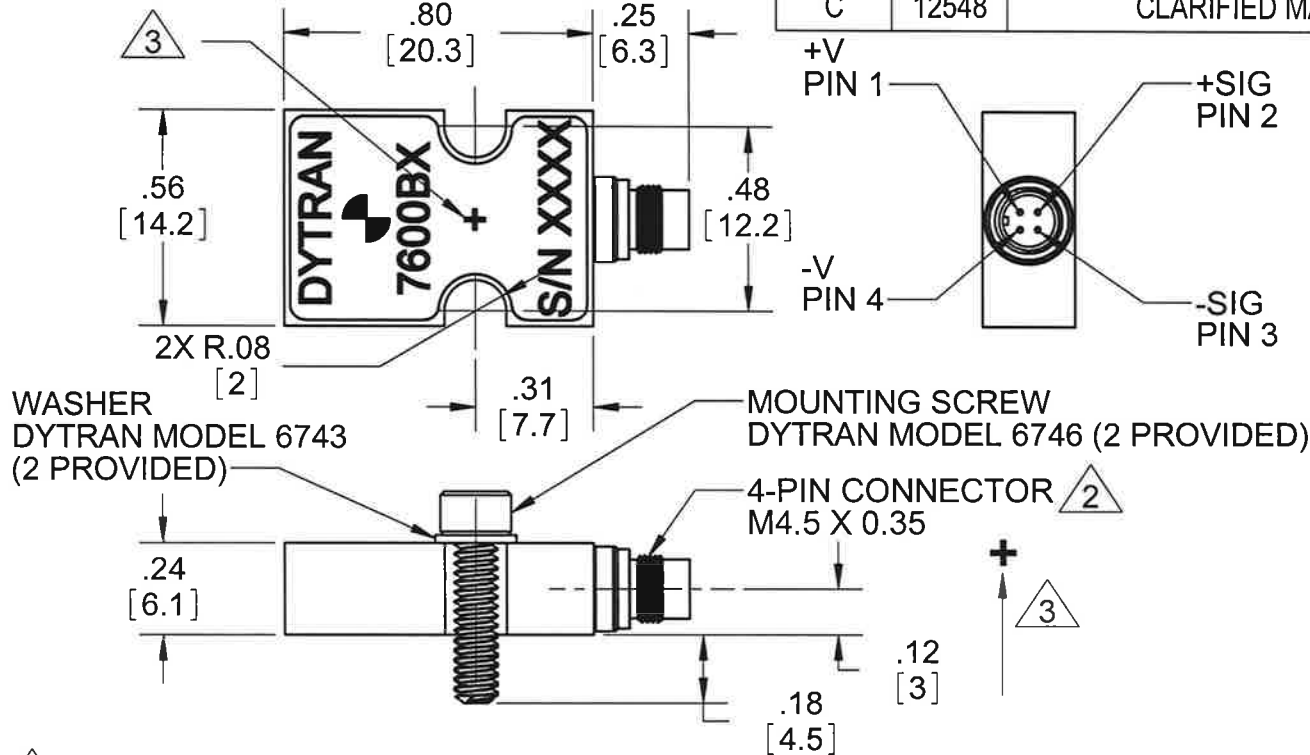


PROPRIETARY AND CONFIDENTIAL

THE INFORMATION CONTAINED IN THIS DRAWING IS THE SOLE PROPERTY OF DYTRAN INSTRUMENTS INC. ANY REPRODUCTION IN PART OR AS A WHOLE WITHOUT THE WRITTEN PERMISSION OF DYTRAN INSTRUMENTS INC. IS PROHIBITED

REVISIONS

REV	ECN	DESCRIPTION	BY/DATE	CHK	APPR
B	7348	SEE ECN	JS 01/25/11	EP	DV
C	12548	CLARIFIED MARKING	EM 03/17/16	RA	AS



MODEL	RANGE
7600B1	±5G
7600B2	±10G
7600B3	±25G
7600B4	±50G
7600B5	±100G
7600B6	±200G

- 3 ARROW & "+" INDICATES DIRECTION OF ACCELERATION FOR POSITIVE OUTPUT.
- 2 MATES WITH 6895AXX (XX= LENGTH IN FEET)
- 1 MARKING DENOTES LOCATION OF SENSING ELEMENT.

NOTES: UNLESS OTHERWISE SPECIFIED

7600BX	USED ON	NEXT ASSY
APPLICATION		
THIRD ANGLE PROJECTION USA		

UNLESS OTHERWISE SPECIFIED:  
 INTERPRET DIM & TOL PER ASME Y14.5M - 1994.  
 REMOVE BURRS.  
 COUNTERSINK INTERNAL THDS 90° TO MAJOR DIA.  
 CHAM EXT THDS 45° TO MINOR DIA.  
 THD LENGTHS AND DEPTHS ARE FOR MIN FULL THDS.  
 THDS PER MIL-S-7742.  
 DIMENSIONS APPLY AFTER FINISHING.

ALL MACHINED SURFACES. TOTAL RUNOUT WITHIN .005. BREAK SHARP EDGES .005 TO .010. MACHINED FILLET RADII .005 TO .015. WELDING SYMBOLS PER AWS A2.4. ABBREVIATIONS PER MIL-STD-12.

UNLESS OTHERWISE SPECIFIED:  
 DIMENSIONS ARE IN INCHES. DIMENSIONS IN BRACKETS [ ] ARE IN MILLIMETERS  
 TOLERANCES ARE:  
 INCHES METRIC ANGLES  
 .XX ± .03 X ± 0.8 ± 1°  
 .XXX ± 0.10 .XX ± 0.25

MATERIAL

FINISH

DO NOT SCALE DRAWING

CONTRACT NO.

APPROVALS		DATE
ORIG	RA	10/07/09
CHK	EP	06/28/10
APP	DV	07/16/10
APP		

**DYTRAN** INSTRUMENTS, INC. Chatsworth, CA

**MASTER ONLY IF IN RED**

TITLE: **OUTLINE/INSTALATION DRAWING, 7600B SERIES**

SIZE	CAGE CODE	DWG. NO.	REV
<b>A</b>	<b>2W033</b>	<b>127-7600B</b>	<b>C</b>

SCALE: 2:1 SOLIDWORKS SHEET 1 OF 1

Model Number 7600B2	<b>PERFORMANCE SPECIFICATION</b>			DOC NO PS7600B2
	VARIABLE CAPACITANCE ACCELEROMETER			REV K, ECN 13957, 01/10/18



- POWER SUPPLY IDENTICAL TO STRAIN GAGE SENSORS
- VARIABLE CAPACITANCE ACCELEROMETER
- DIFFERENTIAL MODE
- HERMETICALLY SEALED
- DC RESPONSE

ENGLISH		SI	
---------	--	----	--

**PHYSICAL**

Weight, Max			
Size	Length x Width x Height		
Connector	Type		
Mounting			
Material			

0.1	oz	3.6	grams
.80 x .56 x .23	Inches	20.3 x 14.2 x 5.8	mm
4-PIN, M4.5 x 0.35 THD		4-PIN, M4.5 x 0.35 THD	
4-40 X 7/16 LG SHCS		4-40 X 7/16 LG SHCS	
Ti-6Al-4V		Ti-6Al-4V	

**PERFORMANCE**

Input Range			
Frequency Response (±3dB)			
Resonant Frequency			
Sensitivity Differential, ±5% [1]			
Output Noise, Differential, Typ			
Non-Linearity, Max [2]			
Sensitivity Change with Excitation Voltage (6-22 Volts)			
Cross Axis Sensitivity			
Zero Measurand Output			

±10	g	±98	m/s <sup>2</sup>
0-600	Hz	0-600	Hz
>3000	Hz	>3000	Hz
50	mV/g	5.1	mV/m/s <sup>2</sup>
18	μ g rms/V Hz	177	μ m/s <sup>2</sup> /V Hz
0.5	% F.S	0.5	%
0.3	%	0.3	%
< 3	%	< 3	%
±50	mV	±50	mV

**ENVIRONMENTAL**

Maximum Mechanical Shock (0.1 ms)			
Bias Temperature Shift, Max [3]			
Sensitivity Temperature Shift			
Operating Temperature Range			
Seal			

5000	gpk	±19620	m/s <sup>2</sup> peak
111	(ppm of span)/°F	200	(ppm of span)/°C
277	ppm/°F	500	ppm/°C
-40 to +248	°F	-40 to +120	°C
Hermetic		Hermetic	

**ELECTRICAL**

Output Common Mode Voltage ± VDC			
Output Impedance, Nom			
Operating Voltage			
Operating Current, Max			
Change in Operating Current to Excitation Voltage			

[4]		[4]	
1225	Ω	1225	Ω
±3 to ±11	VDC	±3 to ±11	VDC
13	mA Dc	13	mA Dc
0.25	mAV	0.25	mAV

**This family also includes:**

Model	Input Range (g)	Frequency response (Hz)	Sensitivity Differential, ±5% (mV/g)	Max.Shock (0.1ms)	Noise Differential (μg/√Hz)
7600B1	±5	0-400	100	2000	12
7600B3	±25	0-900	20	5000	25
7600B4	±50	0-1200	10	5000	50
7600B5	±100	0-1400	5	5000	100
7600B6	±200	0-1750	2.5	5000	200

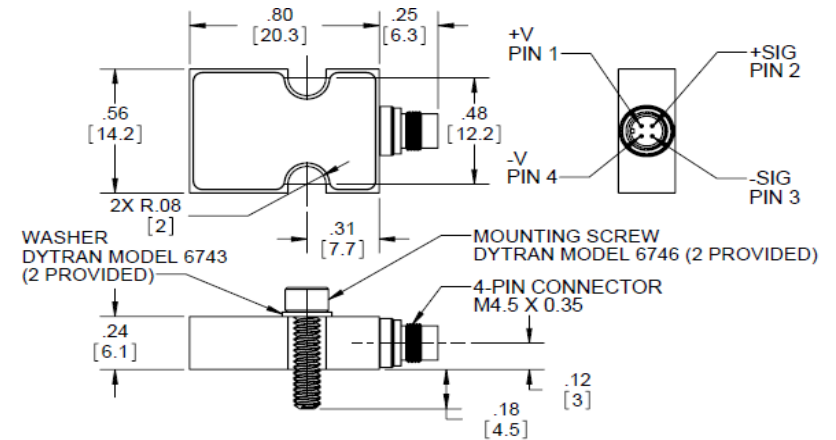
Please, refer to the performance specifications of the products in this family for detailed description

**Supplied Accessories:**

- 1) Accredited calibration certificate (ISO 17025)
- 2) Two mounting screws model # 6746
- 3) Two mounting washers model # 6743

**Notes:**

- [1] Single ended sensitivity is half of values shown
- [2] -90% to +90% of Full Scale
- [3] Over the rated temperature range
- [4] Bias voltage equal to (+ V- (-V)) / 2
- [5] Mating cable 6895A
- [6] In the interest of constant product improvement, we reserve the right to change specifications without notice.



Units on the line drawing are in inches. Refer to 127-7600B for more information.



21592 Marilla Street, Chatsworth, California 91311 Phone: 818.700.7818 Fax: 818.700.7880 www.dytran.com  
For permission to reprint this content, please contact info@dytran.com